



# Common mode choke series

Inductivity: 1.0 - 82.0 mH

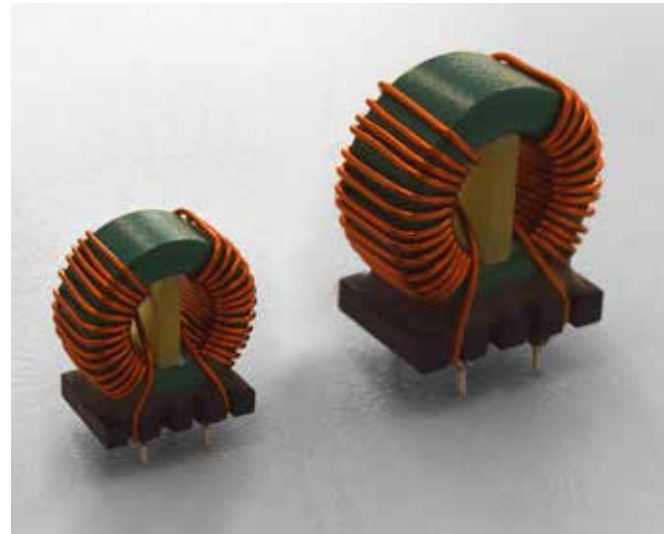
Nominal current: max. 13.5 A

# RK

Report of passed Glow-Wire-Test	<b>DIN EN 60335-1, clause 30.2.3.1 and 30.2.3.2</b>	102961/84814
	<b>UL 1446</b>	E237745

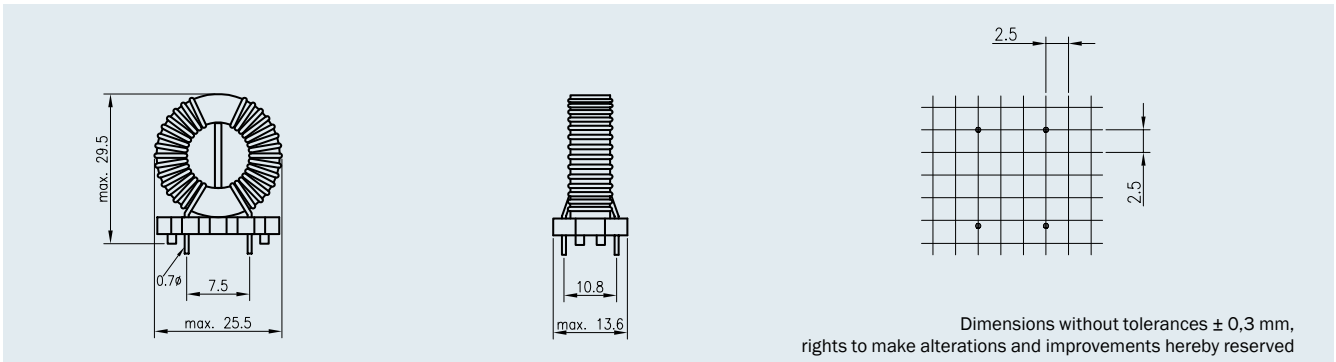
- according to REACH regulation
- according to RoHS regulation

**Further certifications / approvals on request!**

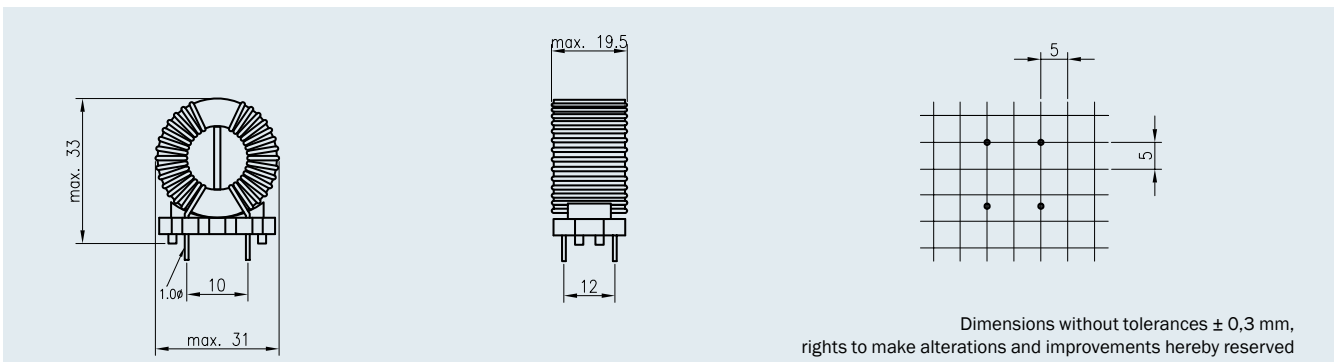


- **Dielectric strenght W1/W2 2.500 V**
- optimized impedance response
- Excellent temperature fluctuation resistance properties
- High electrical safety and long service-life features
- 100 % piece inspection

## Connecting pins Type BVCM RK 221



## Connecting pins Type BVCM RK 251

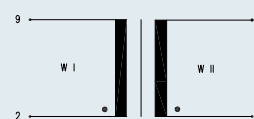


## Connecting scheme

no. 1 - BVCM RK 221



no. 2 - BVCM RK 251



Frame size	Nominal current ta 70°C/B	Inductivity	Height (h)	Connecting scheme
BVCM RK 221 ....	1,00 - 6,50 A	1 - 82.0 mH	max. 29,5 mm	1
BVCM RK 251 ....	1,70 - 13,50 A	1 - 82.0 mH	max. 33,0 mm	2



# Common mode choke series

# RK

Inductivity: 1.0 - 82.0 mH  
Nominal current: max. 13.5 A

## Type BVCM RK 221

ta 70 °C/B	Frame size	Nominal current	Nominal Inductivity	resistance	Connecting pins	Connection Scheme
Frame size BVCM RK 221 ....	BVCM RK 221 0010	6,50 A	1,0 mH	0,015 Ω	2-11 / 5-8	1
	BVCM RK 221 0012	6,30 A	1,2 mH	0,016 Ω	2-11 / 5-8	1
	BVCM RK 221 0015	5,80 A	1,5 mH	0,019 Ω	2-11 / 5-8	1
	BVCM RK 221 0018	5,60 A	1,8 mH	0,020 Ω	2-11 / 5-8	1
	BVCM RK 221 0022	4,80 A	2,2 mH	0,028 Ω	2-11 / 5-8	1
	BVCM RK 221 0027	4,60 A	2,7 mH	0,029 Ω	2-11 / 5-8	1
	BVCM RK 221 0033	3,80 A	3,3 mH	0,044 Ω	2-11 / 5-8	1
	BVCM RK 221 0039	3,60 A	3,9 mH	0,048 Ω	2-11 / 5-8	1
	BVCM RK 221 0047	3,10 A	4,7 mH	0,066 Ω	2-11 / 5-8	1
	BVCM RK 221 0056	2,90 A	5,6 mH	0,071 Ω	2-11 / 5-8	1
	BVCM RK 221 0068	2,50 A	6,8 mH	0,098 Ω	2-11 / 5-8	1
	BVCM RK 221 0082	2,40 A	8,2 mH	0,108 Ω	2-11 / 5-8	1
	BVCM RK 221 0100	2,30 A	10,0 mH	0,117 Ω	2-11 / 5-8	1
	BVCM RK 221 0120	2,20 A	12,0 mH	0,130 Ω	2-11 / 5-8	1
	BVCM RK 221 0150	2,10 A	15,0 mH	0,145 Ω	2-11 / 5-8	1
	BVCM RK 221 0180	2,00 A	18,0 mH	0,159 Ω	2-11 / 5-8	1
	BVCM RK 221 0220	1,70 A	22,0 mH	0,215 Ω	2-11 / 5-8	1
	BVCM RK 221 0270	1,60 A	27,0 mH	0,240 Ω	2-11 / 5-8	1
	BVCM RK 221 0330	1,35 A	33,0 mH	0,336 Ω	2-11 / 5-8	1
	BVCM RK 221 0390	1,46 A	39,0 mH	0,364 Ω	2-11 / 5-8	1
BVCM RK 221 0470	1,25 A	47,0 mH	0,390 Ω	2-11 / 5-8	1	
BVCM RK 221 0560	1,10 A	56,0 mH	0,510 Ω	2-11 / 5-8	1	
BVCM RK 221 0680	1,00 A	68,0 mH	0,609 Ω	2-11 / 5-8	1	
BVCM RK 221 0820	1,00 A	82,0 mH	0,665 Ω	2-11 / 5-8	1	

## Type BVCM RK 251

ta 70 °C/B	Frame size	Nominal current	Nominal Inductivity	resistance	Connecting pins	Connection Scheme
Frame size BVCM RK 251 ....	BVCM RK 251 0010	13,5 A	1,0 mH	0,005 Ω	2-9 / 4-7	2
	BVCM RK 251 0012	13,0 A	1,2 mH	0,005 Ω	2-9 / 4-7	2
	BVCM RK 251 0015	11,5 A	1,5 mH	0,007 Ω	2-9 / 4-7	2
	BVCM RK 251 0018	11,0 A	1,8 mH	0,007 Ω	2-9 / 4-7	2
	BVCM RK 251 0022	7,0 A	2,2 mH	0,015 Ω	2-9 / 4-7	2
	BVCM RK 251 0027	7,0 A	2,7 mH	0,020 Ω	2-9 / 4-7	2
	BVCM RK 251 0033	6,0 A	3,3 mH	0,027 Ω	2-9 / 4-7	2
	BVCM RK 251 0039	6,0 A	3,9 mH	0,031 Ω	2-9 / 4-7	2
	BVCM RK 251 0047	6,0 A	4,7 mH	0,032 Ω	2-9 / 4-7	2
	BVCM RK 251 0056	5,0 A	5,6 mH	0,035 Ω	2-9 / 4-7	2
	BVCM RK 251 0068	5,0 A	6,8 mH	0,043 Ω	2-9 / 4-7	2
	BVCM RK 251 0082	4,5 A	8,2 mH	0,053 Ω	2-9 / 4-7	2
	BVCM RK 251 0100	4,0 A	10,0 mH	0,068 Ω	2-9 / 4-7	2
	BVCM RK 251 0120	3,5 A	12,0 mH	0,071 Ω	2-9 / 4-7	2
	BVCM RK 251 0150	3,5 A	15,0 mH	0,081 Ω	2-9 / 4-7	2
	BVCM RK 251 0180	3,5 A	18,0 mH	0,088 Ω	2-9 / 4-7	2
	BVCM RK 251 0220	3,0 A	22,0 mH	0,108 Ω	2-9 / 4-7	2
	BVCM RK 251 0270	3,0 A	27,0 mH	0,118 Ω	2-9 / 4-7	2
	BVCM RK 251 0330	2,5 A	33,0 mH	0,151 Ω	2-9 / 4-7	2
	BVCM RK 251 0390	2,4 A	39,0 mH	0,163 Ω	2-9 / 4-7	2
BVCM RK 251 0470	2,2 A	47,0 mH	0,181 Ω	2-9 / 4-7	2	
BVCM RK 251 0560	2,0 A	56,0 mH	0,219 Ω	2-9 / 4-7	2	
BVCM RK 251 0680	1,8 A	68,0 mH	0,272 Ω	2-9 / 4-7	2	
BVCM RK 251 0820	1,7 A	82,0 mH	0,299 Ω	2-9 / 4-7	2	