

Individual version!

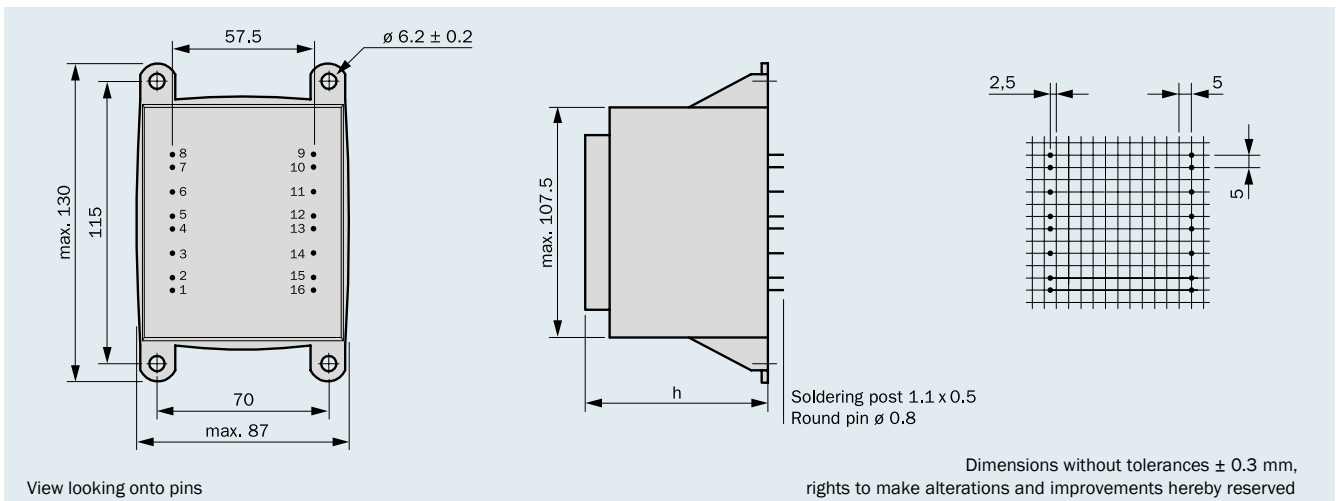
Custom-made models are available on request, e.g. with or without mounting brackets, other heights, pin configurations or connections.

- according to REACH regulation
- according to RoHS regulation

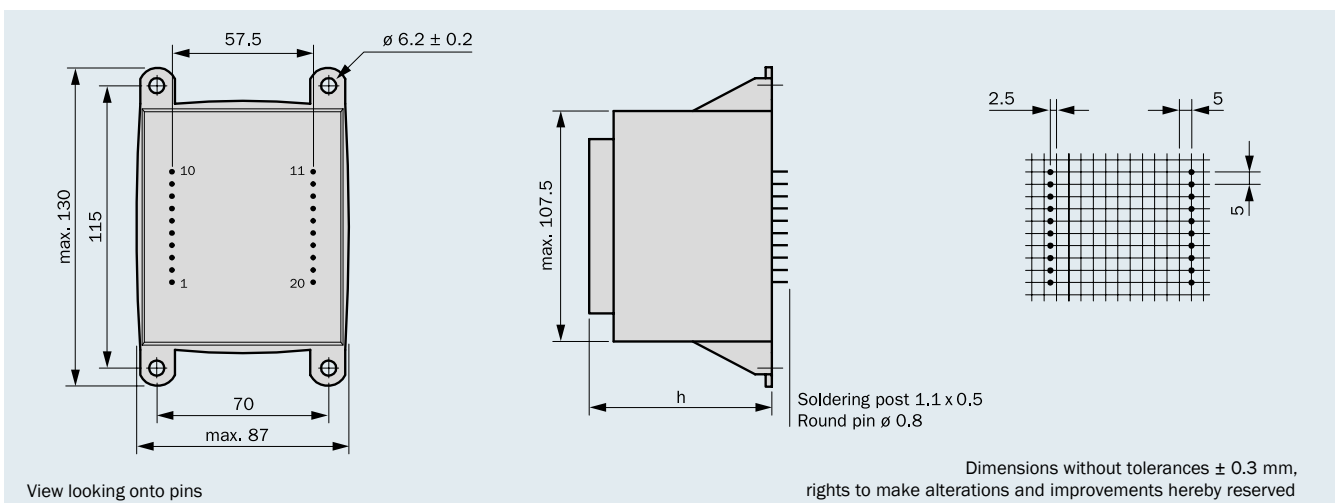
Further certifications / approvals on request!

Frame size/Core height	Output Power ta 70 °C/B	Height (h)	Weight
BV EI 961 /35.7 mm	130.0 VA	max. 75.1 mm	2.600 kg
BV EI 962 /45.5 mm	160.0 VA	max. 84.9 mm	3.800 kg
BV EI 963 /59.7 mm	200.0 VA	max. 98.9 mm	4.600 kg

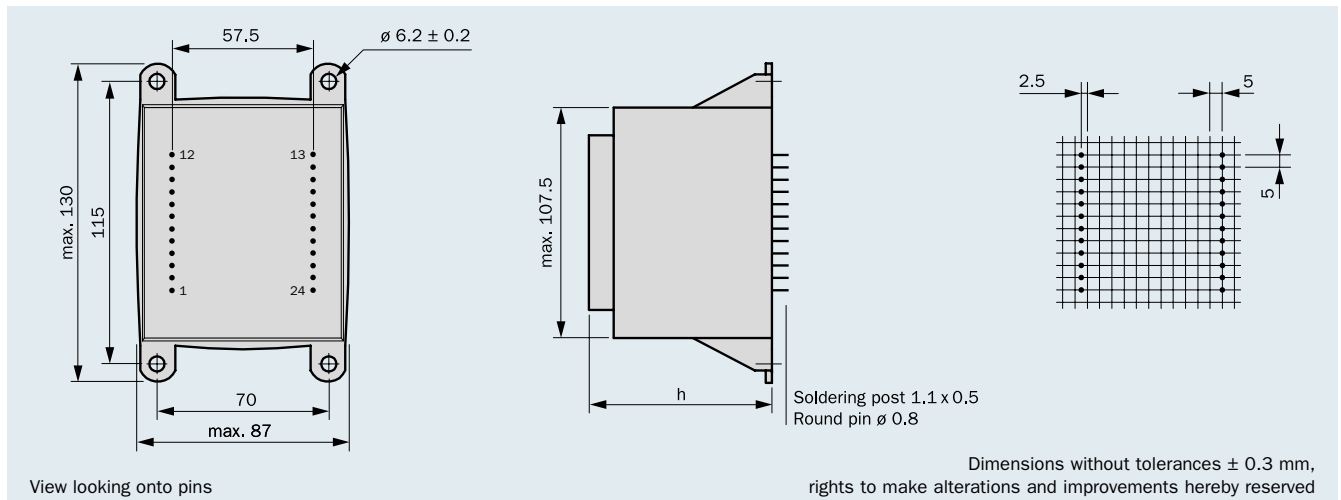
Type cast housing “KK” with 16 connection pins



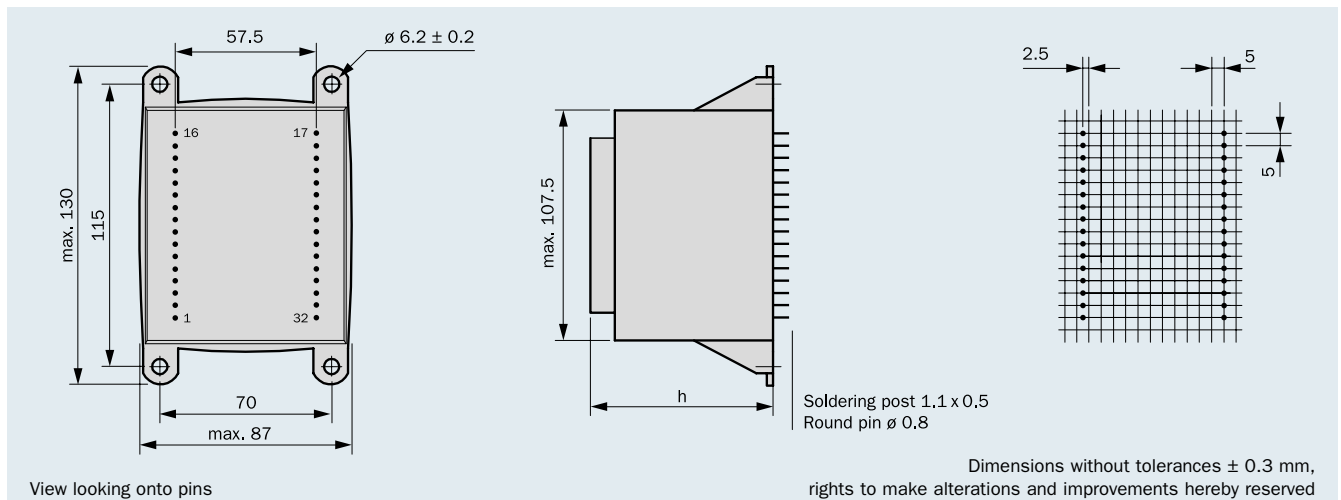
Type cast housing “KK” with 20 connection pins



Type cast housing “KK” with 24 connection pins



Type cast housing “KK” with 32 connection pins



Type cast housing “SV” for upright mounting

